

# CaBano

## #28442

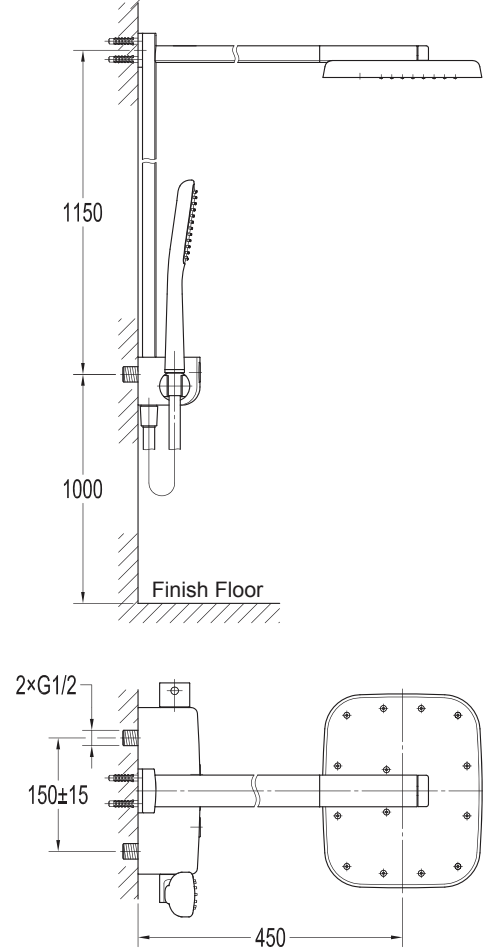
Thermostatic shower column

### INSTALLATION GUIDE



Last revision: October 23rd

### III. Installation Diagram



### I. Installation Notice

1. Please lay water pipes in accordance with this manual.
2. Floor drain should be installed on the site.
3. Mixers should be installed only after the completion of house interior decoration in case paint or other chemicals erode the mixer surface.
4. Clean pipes to get rid of mud, sand or other debris blocked in pipes before installation.
5. Check whether the threads can be matched. Otherwise, install forcefull will damage the components.
6. After installation, check all the joints to make sure they are firmly connected. Then keep water flow. Turn on and off repeatedly to ensure no leaking problem. After that, the product is ready for normal use.
7. Hand the manual to users.

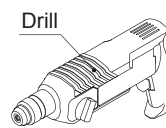
### II. Operation Notice

1. The product is used under cold water temperature 4~29°C, hot water temperature 55~85°C and water pressure 0.05~1.0 MPa. To avoid large pressure difference between hot and cold water, the thermostatic cartridge is preferably in use under the condition of water pressure 0.3 MPa, cold water 15°C, hot water 65°C. Main valve should be equipped with a filter.
2. Do not hang heavy things on the mixer.
3. Remember to turn off the mixer when no water comes out of it (especially when nobody in the house or during the decoration period or power off).
4. Clean the surface of mixer regularly to keep it bright. Note: Please do not use inappropriate tools such as sharp brushes, rough sponges, scouring pads or corrosive detergent. And it is not recommended to use the detergent sold in the market, because its formula changes frequently. Please clean the mixer with wet cloth and soapy water after some time of usage. Then rinse the soap off with clean water and dry with a soft cotton cloth.
5. When indoor temperature drops below 0°C, take necessary measures (keep mixer warm, close windows) to prevent the mixer from frost cracking (especially when windows are kept open for ventilation while nobody in the house).
6. Run cold water first and then run hot water, adjust the temperature before in use. Do not touch the hot water area of the mixer to avoid injury.
7. Do not disassemble the product without help from the professionals.

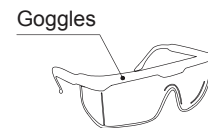
### IV. Installation Steps(Fig.1-23) : \* The installation diagram is only for reference. The product is subject to the real object.

1

Prepare and check the following tools.



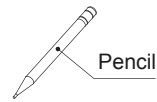
Drill



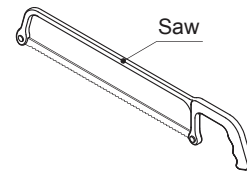
Goggles



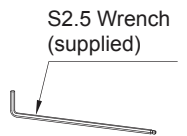
Teflon Tape



Pencil



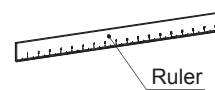
Saw



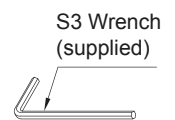
S2.5 Wrench (supplied)



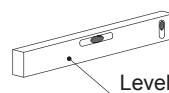
Phillips Screwdriver



Ruler



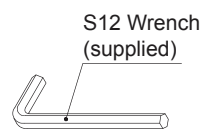
S3 Wrench (supplied)



Level



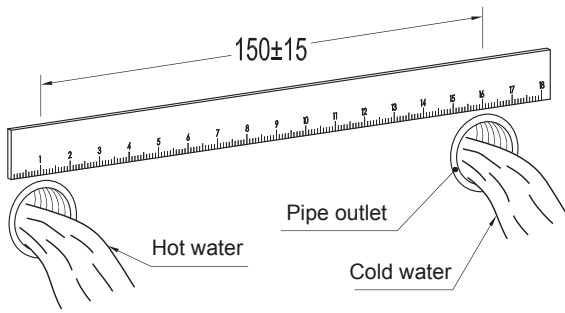
S5 Wrench (supplied)



S12 Wrench (supplied)

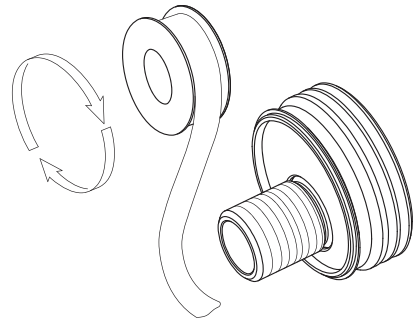
2

In the wall about 1000mm off the floor, install hot and cold pipes with the distance between at 150mm. Please be noted that hot water on the left and cold on the right, otherwise the thermostatic cartridge cannot work or even cause scalding. Run water to get rid of debris inside pipes.



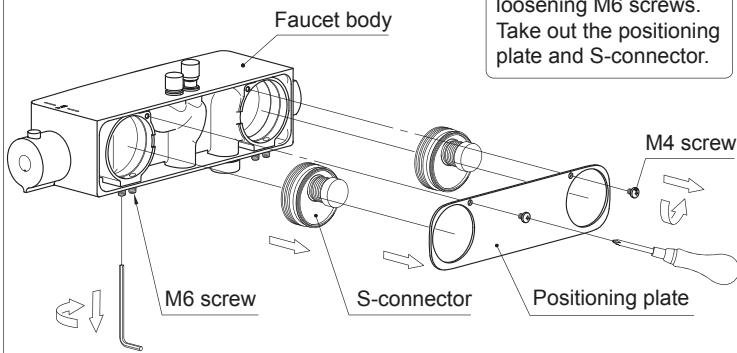
6

Wrap the two S-connectors with Teflon tape.



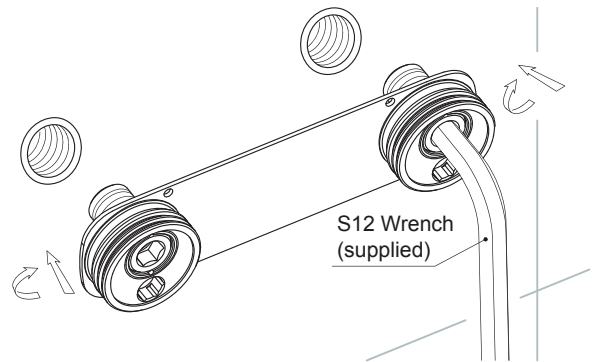
3

Take two M4 screws off the faucet body and loosening M6 screws. Take out the positioning plate and S-connector.



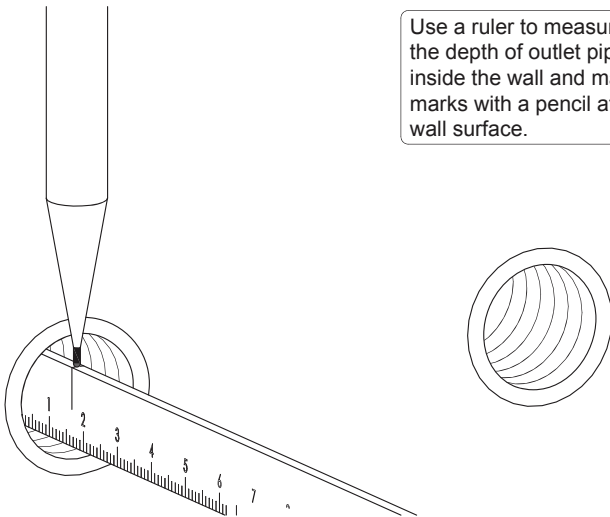
7

Put the two S-connectors through the positioning plate to connect with outlet pipes. Use S12 wrench to slightly tighten inlet threaded pipes.



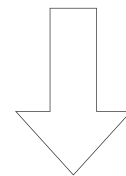
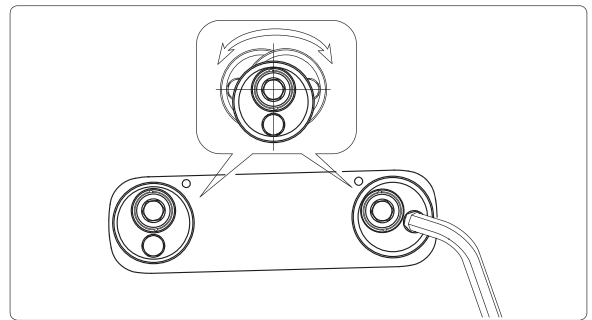
4

Use a ruler to measure the depth of outlet pipes inside the wall and make marks with a pencil at the wall surface.



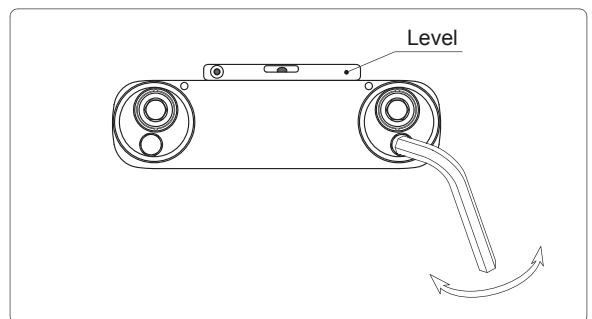
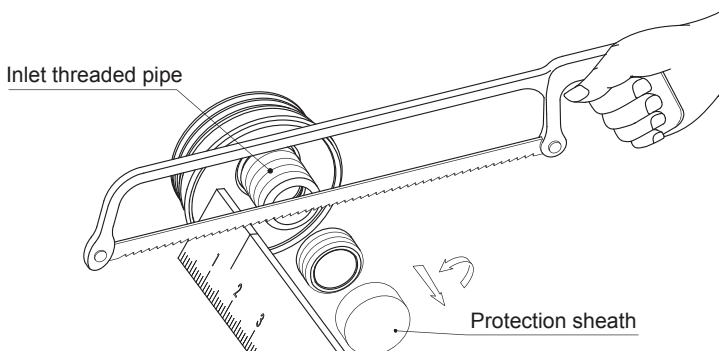
8

Use S12 wrench to adjust the S-connectors to fit for the positioning plate. Use a level to measure.



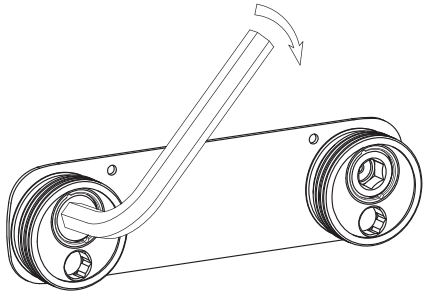
5

Remove protection sheath off the inlet threaded pipes. Use a ruler to measure the depth of the threads. If the threads are longer than pipe outlets, use a saw to cut off the surplus.



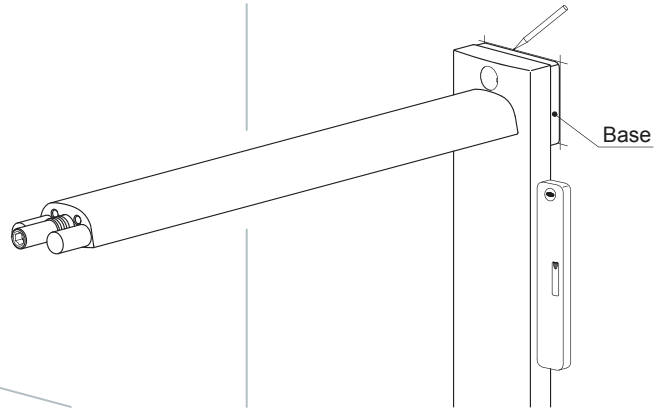
9

Tighten inlet threaded pipes with S12 wrench.



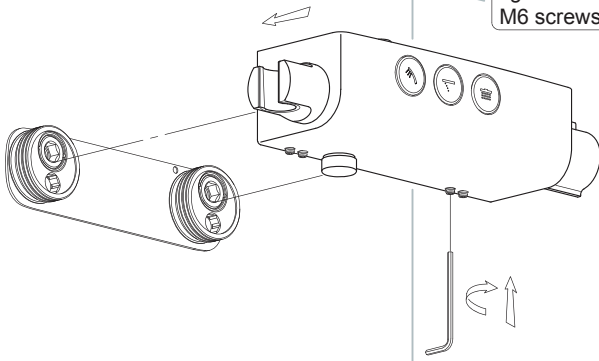
12

Use a level to adjust the elbow pipe to be vertical. Take the installation base as benchmark to mark lines on the wall. Then take off the elbow.



10

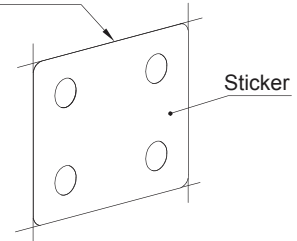
Install the faucet body onto the S-connectors and tighten with four M6 screws.



13

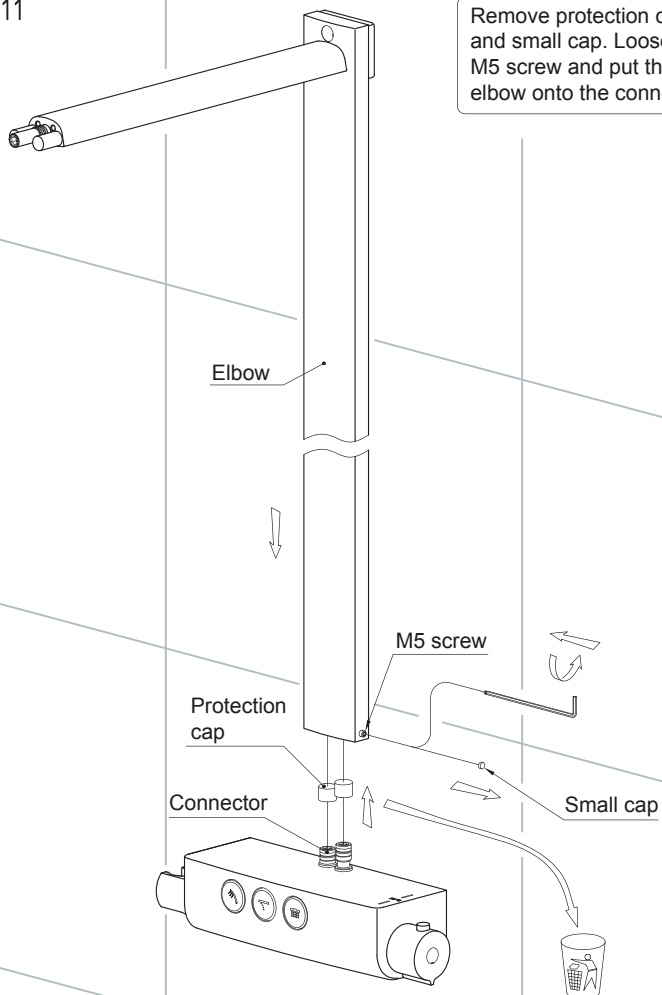
Tear the sticker off the positioning plate and stick it at the marked lines.

The sticker edge should be in alignment with the marked lines.

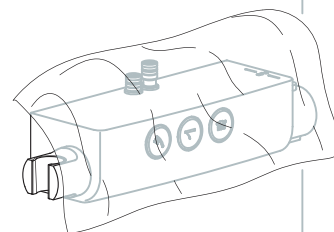
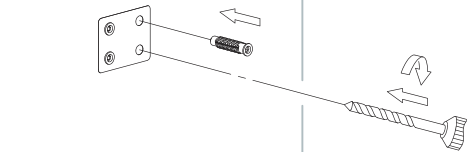


11

Remove protection cap and small cap. Loosen M5 screw and put the elbow onto the connector.



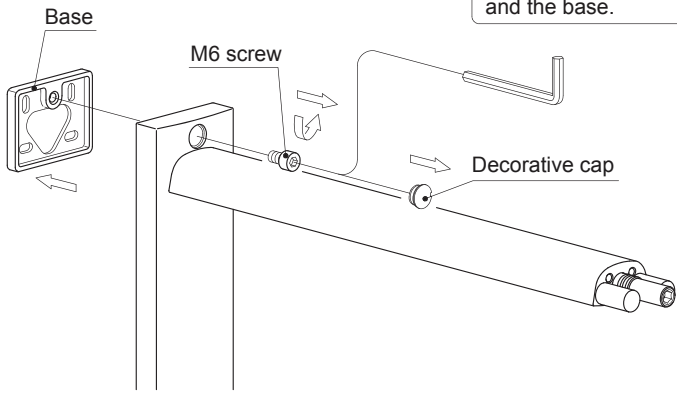
14



Use the clothes bag to cover the faucet body in case debris from drilling would fall on the body. Based on the holes of the sticker and drill 4 Ø8 holes. Insert expansion pipes and take off the sticker.

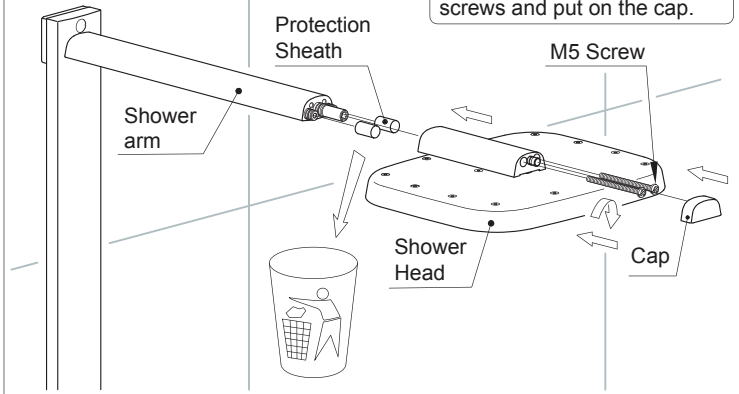
15

Use a pointed tool to take off the decorative cap. Use S5 wrench to remove M6 screw and the base.



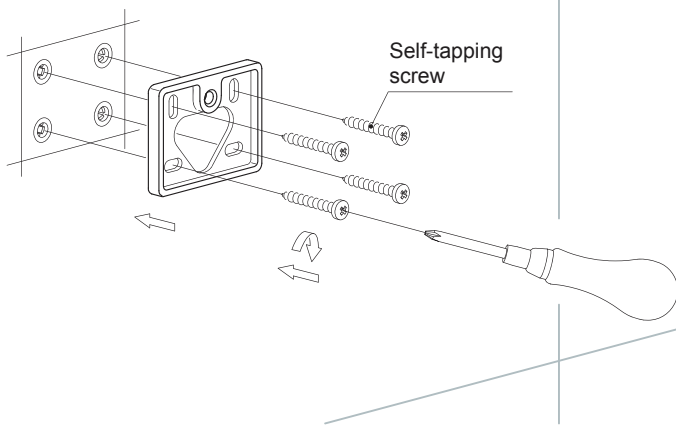
18

Remove the protection sheath from the shower arm and connect the shower arm with the shower head. Tighten M5 screws and put on the cap.



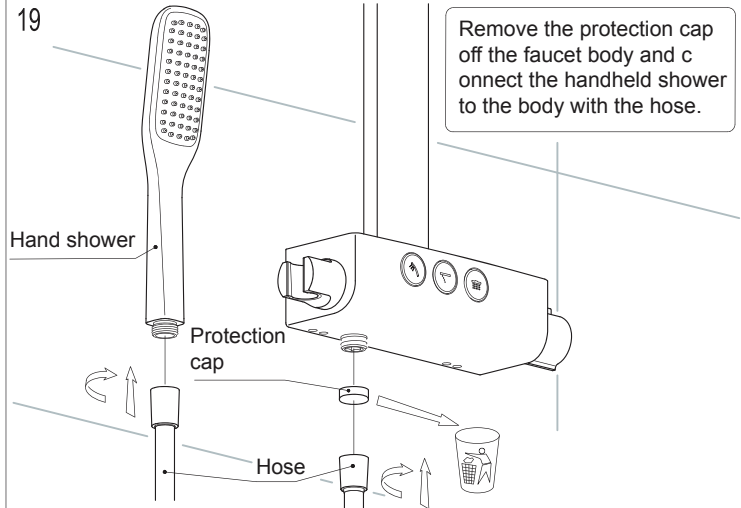
16

Use self-tapping screws to fix the base close to the wall.



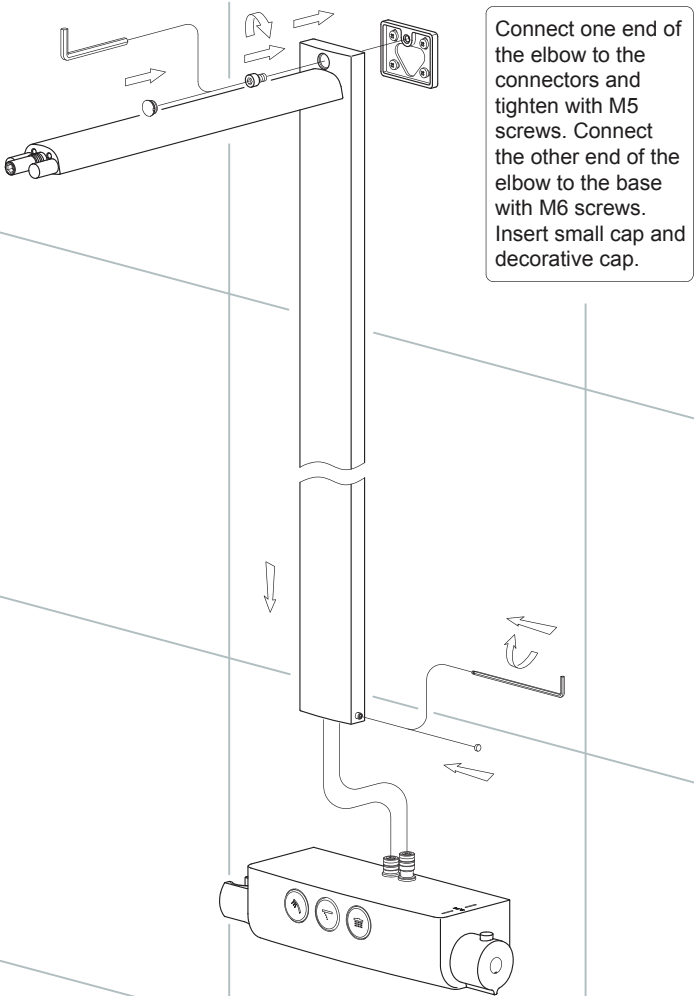
19

Remove the protection cap off the faucet body and connect the handheld shower to the body with the hose.



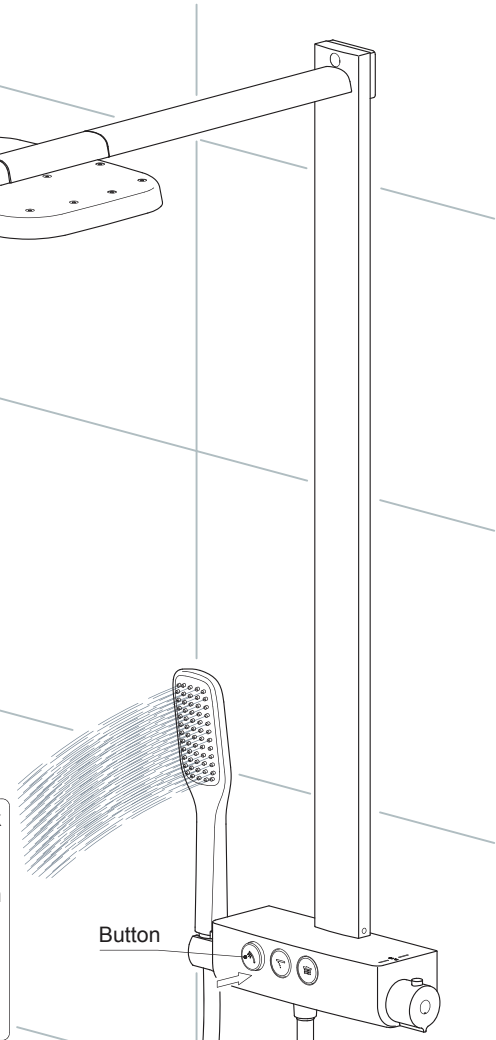
17

Connect one end of the elbow to the connectors and tighten with M5 screws. Connect the other end of the elbow to the base with M6 screws. Insert small cap and decorative cap.

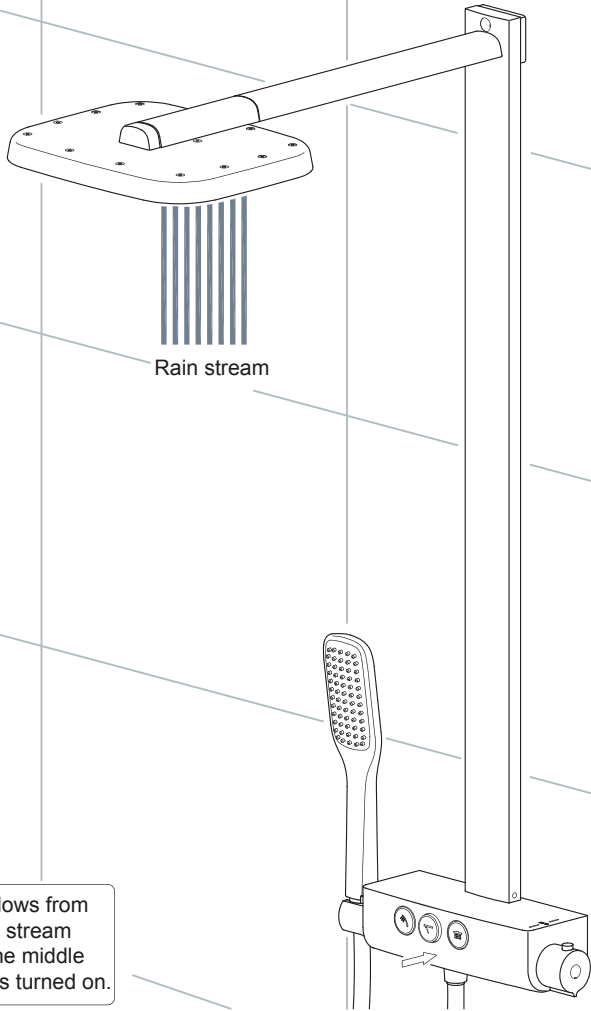


20

After completion, check if the installation is proper. The diagram shows water flows from the hand shower when the left button is turned on. The button is lower when turned off and higher when on.



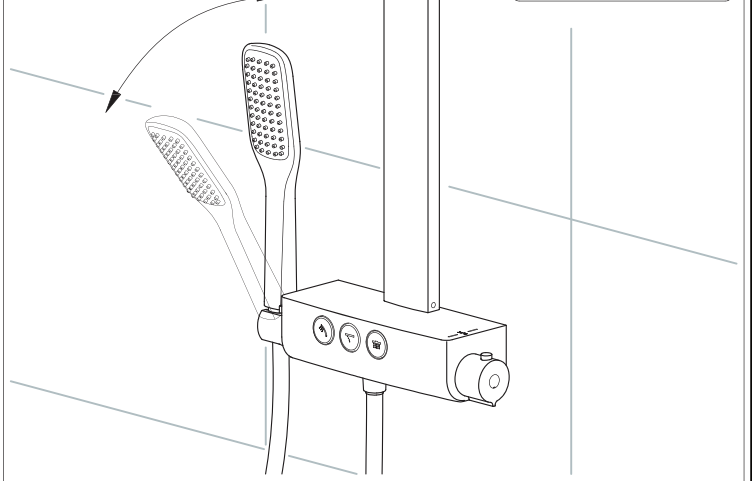
21



Water flows from the rain stream when the middle button is turned on.

23

The handheld shower could swivel.



**V. Maintenance (Diagram 24-25)**

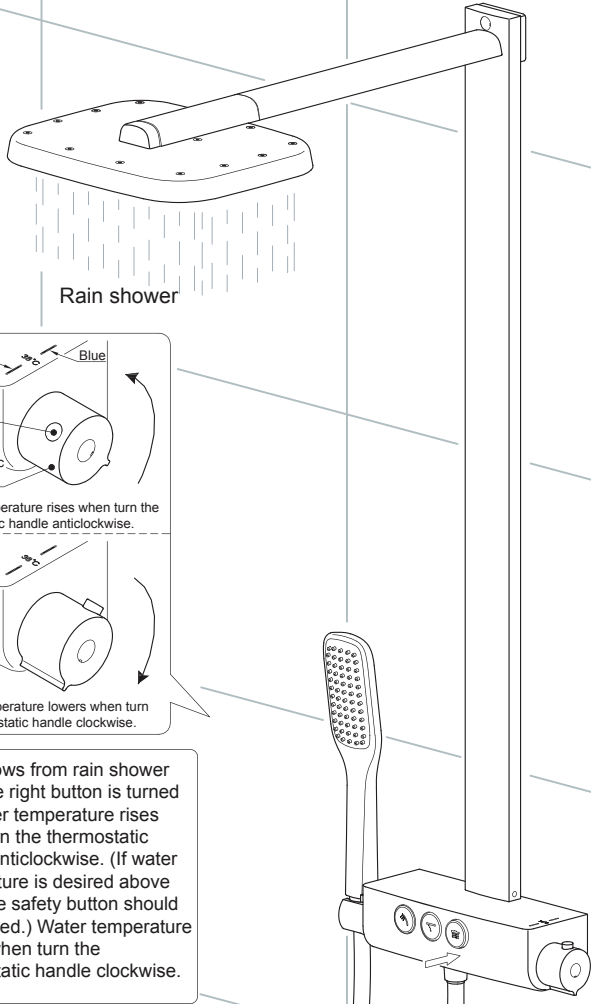
If the flow rate is lessened or temperature control is imprecise after a period of usage, it is possibly because water of poor quality blocks the filter net of the thermostatic cartridge. Cleaning method should be taken as followed.

- 1) First, turn off the main inlet valve. Use a pointed tool to pick out the cap as shown in Diagram 24.
- 2) Loosen M4 screw and take out one by one the thermostatic handle, stop collar, locking nut and thermostatic cartridge.
- 3) Clean the filter of the thermostatic cartridge with vinegar and clean water using a brush.
- 4) Then assemble parts back accordingly.

Pay attention to keeping the four parts at one line: the slot on the thermostatic cartridge, stop collar, safety button on the handle and the 38°C mark on the escutcheon.

If water flow from the rainshower becomes lessened or does not spray evenly, it might be due to debris blocking the outlet. Gently squeeze those rubber outlets on the rainshower with fingers as shown in Diagram 25. Then wash debris out with running water.

22

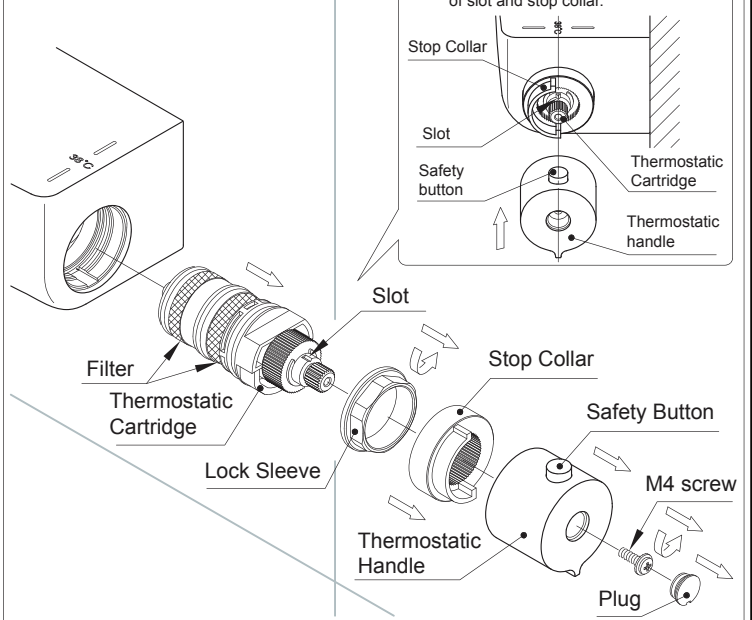


Red Blue  
Safety Button  
Thermostatic handle  
Water temperature rises when turn the thermostatic handle anticlockwise.

Water temperature lowers when turn the thermostatic handle clockwise.

Water flows from rain shower when the right button is turned on. Water temperature rises when turn the thermostatic handle anticlockwise. (If water temperature is desired above 38°C, the safety button should be pressed.) Water temperature lowers when turn the thermostatic handle clockwise.

24



25

